

VALUES			
1	0.5 meg	2	0.5 meg
3	0.5 meg	4	0.5 meg
5	0.25 meg	6	50000 $\Omega$ 25 mf
7	0.25 meg	8	50000 $\Omega$
9	0.5 mf	10	0.01 mf
11	50000 $\Omega$	12	0.00025 mf
13	0.01 mf	14	0.5 meg
15	500 $\Omega$ 25 mf	16	0.05 mf
17	0.5 mf	18	0.1 mf
19	0.1 mf	20	0.5 mf
21	500 $\Omega$	22	1000 $\Omega$
23	250 $\Omega$	24	0.1 mf
25	50000 $\Omega$	26	0.1 mf
27	0.1 mf	28	0.1 mf
29	0.01 mf	30	0.00005 mf
31	25000 $\Omega$	32	0.5 meg
33	15000 $\Omega$	34	0.00025 mf
35	0.0003 mf	36	50 $\Omega$ C.T.

— WAVE SWITCH SETTING —  
 A = BROADCAST DISTANT  
 B = " LOCAL  
 C = SHORT WAVE

INTERMEDIATE FREQUENCY 470 KC

THOM & SMITH LTD  
 55-57 DOWLING ST  
 SYDNEY NSW

*Tasma* MODEL 325 DUAL WAVE.  
 AC. OPERATED SUPERHETERODYNE

DR'N BY *E. Hatach* 3-2-36  
 CH'D BY *E. Jantner* 7.2.36  
 AP'D BY *Thom*

DRAWING N°157

# Tasma

## SERVICE DATA

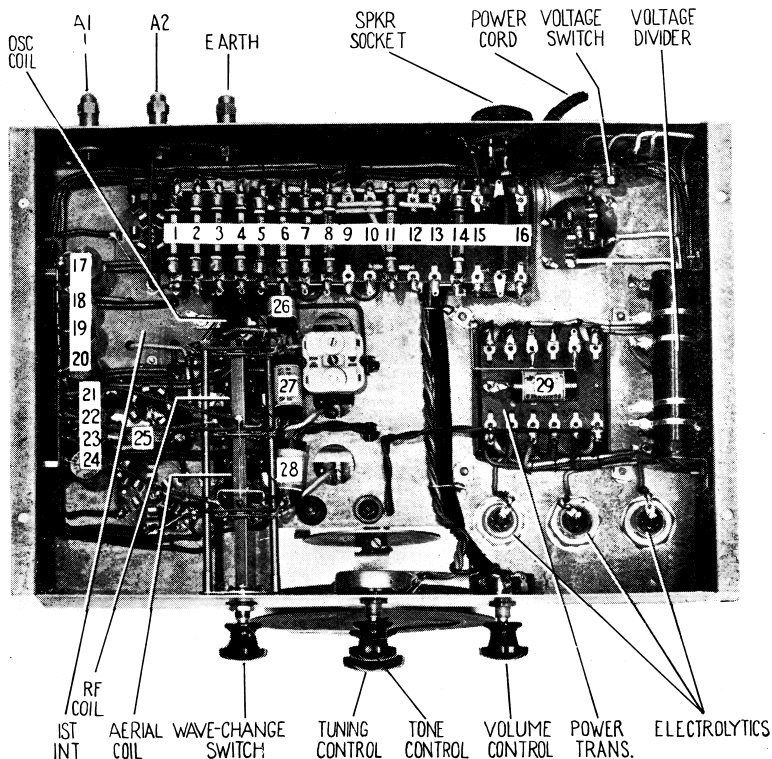
for

## MODEL 325

# DUAL-WAVE SUPERHETERODYNE

### TABLE OF VOLTAGES AND CURRENTS

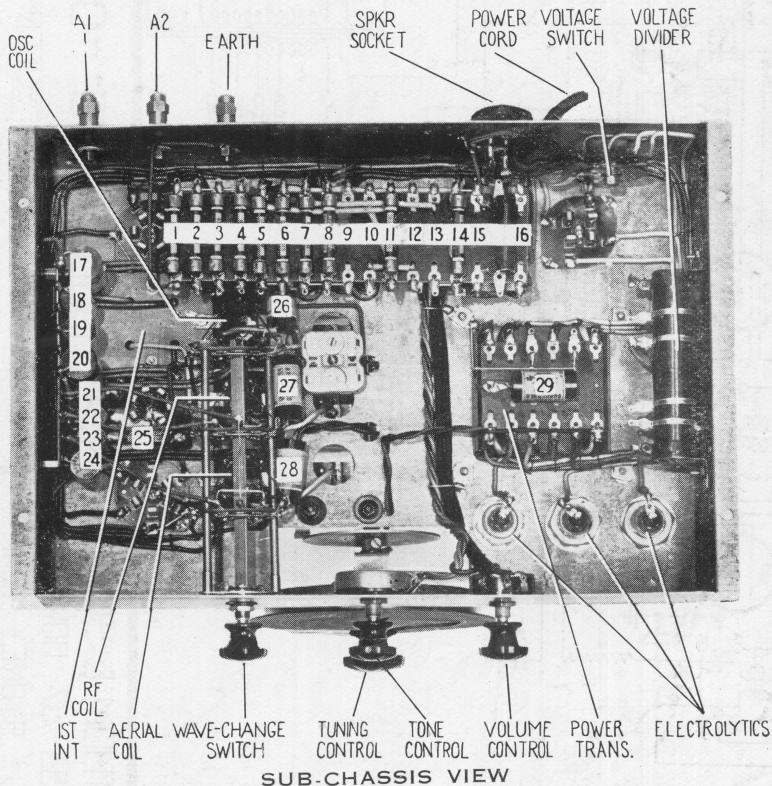
Valve	Function of Valve	Position of Wave Switch	Fila-ment Volts	Plate Volts	Plate Current	Screen Volts	Screen Current	Cathode Volts	Anode Grid Volts	Anode Grid Current
6D6	R.F.	{ Dist. Local S.W.	{ 6.0	{ 260	6.75	110	1.7	5.5	—	—
					3.0	115	0.8	11.0	—	—
					5.7	100	0.9	5.5	—	—
6A7	Freq. Changer	{ Dist. Local S.W.	{ 6.0	{ 260	4.5	110	4.5	5.5	—	—
					2.5	115	5.25	11.0	—	—
					5.0	100	5.25	5.5	—	—
6A7	Osc. Section	{ Dist. Local S.W.	{ 6.0	{ —	—	—	—	—	150	4.25
					—	—	—	—	150	6.0
					—	—	—	—	150	7.5
6D6	I.F.	{ Dist. Local S.W.	{ 6.0	260	5½	110	1.4	6.5	—	—
				260	3½	115	0.8	11.0	—	—
				260	7½	100	1.5	4.0	—	—
75	2nd Det. A.V.C.	Dist.	6.0	—	0.3	80	—	1.5	—	—
42	1st Audio	Dist.	6.0	250	30	260	5.0	17	—	—
80	Power Audio	Dist.	6.0	400/400	32/32	—	—	—	—	—
80	Rectifier	Dist.	6.0	400/400	32/32	—	—	—	—	—



SUB-CHASSIS VIEW

#### LOCATION OF COMPONENTS.

The key on circuit diagram is numbered to correspond to the numbers on photograph of sub-chassis view.



### LOCATION OF COMPONENTS.

The key on circuit diagram is numbered to correspond to the numbers on photograph of sub-chassis view.

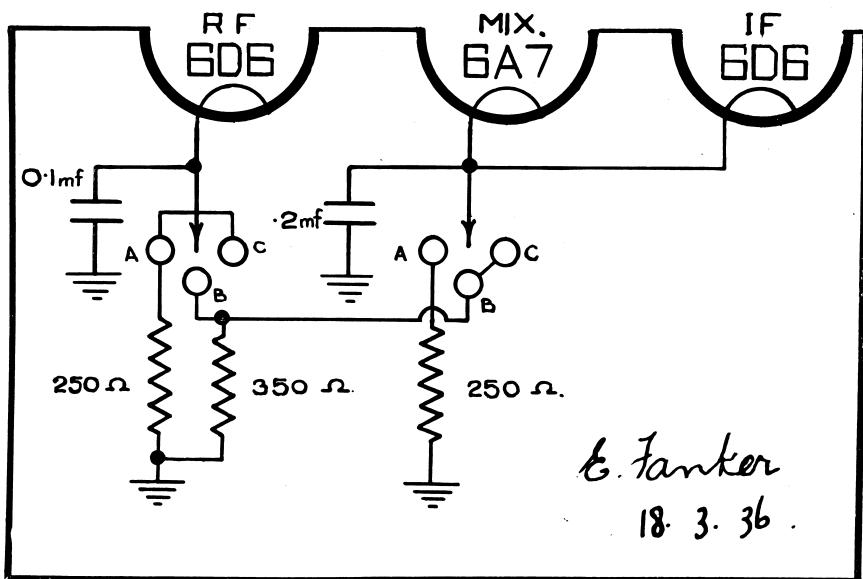
# Tasma

## SERVICE DATA.

### MODIFICATIONS

#### Model 325.

Drawing No. 157 has been modified in accordance with circuit as under.



#### Model 335.

Drawing No. 161 to show addition of condenser 0.00025 mfd. connected from plate to earth on type 19 output valve. This component is located on speaker socket.

#### Model 350.

##### Drawing No. 171 Modifications.

Component No. 20 altered to 350 ohms.

Component No. 18 altered to 0.5 mfd.